

Safety Valves

Type 06474



Cryogenic Safety Valves, angle type, bronze, PN63, type tested TÜV-SV.836. S/G

Standard safety valve,
with carbon filled PTFE valve seal, closed bonnet
Outlet: female thread G 1/2 acc. to ISO 228/1
"cleaned and degreased for oxygen service"

Part No. 06474.X.0000

Part No. 06474.0600.9000

Inlet: male thread type G (BSPP) acc. to ISO 228/1

Part No. 06474.X.5000

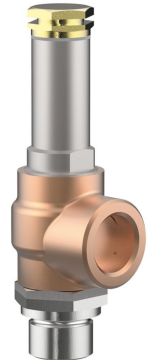
Inlet: male thread NPT acc. to ANSI B 1.20.1

Part No. 06474.0600.0000

Inlet: union type weld/braze fitting for pipe outside diameter 12mm

Available options - on request only:

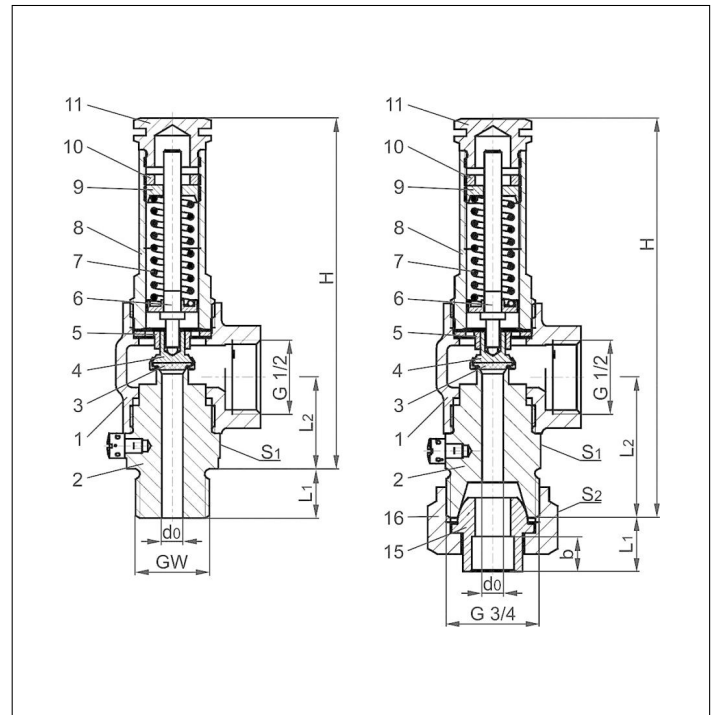
- external parts nickel plated
- with installed elbow at the outlet



Applications:

Provided as safety device for protection against excessive pressure in stationary and moveable gas cylinders and pressure vessels. Approved for air gases, vapours and cryogenic liquefied gases incl. LNG.
Working temperature: -196°C / -321°F (77K) up to +150°C / +302°F (423K), suitable for horizontal installation

| Materials | DIN EN | ASME/ASTM |
|-----------------------|----------------------------|-------------------|
| 1 Outlet body | CC491K | B 62 UNS C83600 |
| 2 Inlet body | 1.4301 | A 276 Grade 304 |
| 3 Valve seal | PTFE / Carbon filled (25%) | |
| 4 Disc | CW452K | B 159 UNS C51900 |
| 5 Guide plate | CC493K | B 505 UNS C93200 |
| 6 Stem | CW614N | B 283 UNS C38500 |
| 7 Spring | 1.4571 | A 313 Grade 316Ti |
| 8 Bonnet | 1.4301 | A 276 Grade 304 |
| 9 Spring clamp | CW614N | B 283 UNS C38500 |
| 10 Thread ring | CW614N | B 283 UNS C38500 |
| 11 Cap | CW614N | B 283 UNS C38500 |
| 15 Weld/Braze fitting | 1.4301 | A 276 Grade 304 |
| 16 Union nut | CW614N | B 283 UNS C38500 |



| Type 06474 | Technical data | | | | |
|--------------------------|----------------|----------|----------|----------|----------|
| Nominal size | GW | 1/4 | 3/8 | 1/2 | 3/4 |
| Orifice | d ₀ | 6.0 | 6.0 | 6.0 | 6.0 |
| Dimension code | .X. | 0200 | 0300 | 0400 | 0600 |
| Set pressure range | bar | 0.4-55.0 | 0.4-55.0 | 0.4-55.0 | 0.4-55.0 |
| Height | H | 100 | 100 | 100 | 114 |
| Length | L ₁ | 12 | 13 | 14 | 15.5 |
| Length | L ₂ | 26 | 26 | 26 | 40 |
| Socket depth | b | - | - | - | 10 |
| Wrench size across flats | S ₁ | 27 | 27 | 27 | 27 |
| Wrench size across flats | S ₂ | - | - | - | 32 |
| Weight | ca. kg | 0.34 | 0.36 | 0.38 | 0.48 |
| Coefficient of discharge | α _w | 0.66 | 0.66 | 0.66 | 0.66 |

Dimensions in mm.

Safety Valves

Type 06474



Discharge capacities

Calculation of flow rate acc. to AD2000-Merkblatt A2 / DIN EN ISO 4126-1

Medium:

Air in m³/h at 0°C and 1013.25 mbar

The capacity indicated below is for a fully opened valve.

d₀ - orifice

A₀ - flow area

| Set pressure in bar (g) | GW | 1/4, 3/8, 1/2 & 3/4 |
|-------------------------|-----------------------------------|---------------------|
| | d ₀ (mm) | 6.0 |
| | A ₀ (mm ²) | 28.3 |
| | Medium | Air |
| 0.4 | | 14.7 |
| 0.5 | | 16.5 |
| 0.6 | | 18.1 |
| 0.7 | | 19.6 |
| 0.8 | | 21 |
| 0.9 | | 22.3 |
| 1.0 | | 23.6 |
| 1.5 | | 31.3 |
| 2.0 | | 39 |
| 2.5 | | 47.1 |
| 3.0 | | 54.9 |
| 4.0 | | 69 |
| 5.0 | | 83.1 |
| 6.0 | | 97.2 |
| 7.0 | | 111 |
| 8.0 | | 126 |
| 9.0 | | 140 |
| 10.0 | | 154 |
| 12.0 | | 182 |
| 14.0 | | 211 |
| 16.0 | | 239 |
| 18.0 | | 267 |
| 20.0 | | 298 |
| 22.0 | | 327 |
| 24.0 | | 355 |
| 26.0 | | 384 |
| 28.0 | | 412 |
| 30.0 | | 445 |
| 32.0 | | 474 |
| 34.0 | | 502 |
| 36.0 | | 531 |
| 38.0 | | 560 |
| 40.0 | | 594 |
| 42.0 | | 623 |
| 44.0 | | 652 |
| 46.0 | | 681 |
| 48.0 | | 710 |
| 50.0 | | 745 |
| 55.0 | | 818 |